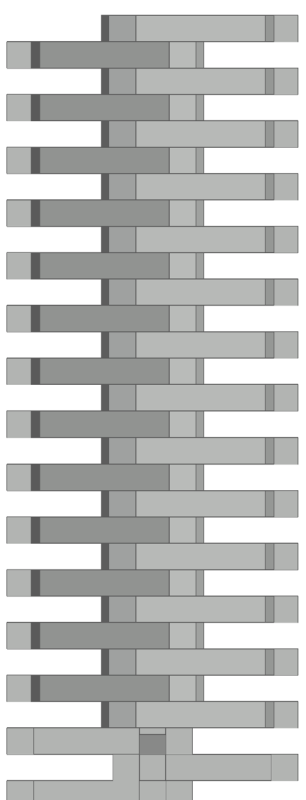
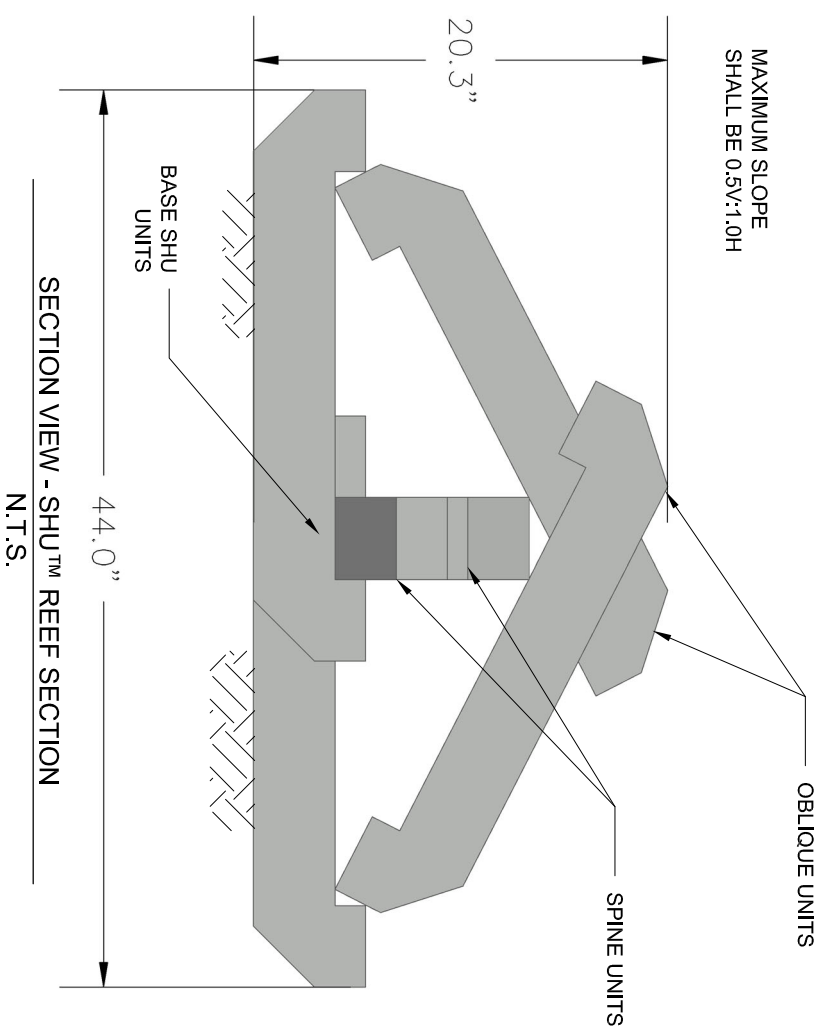
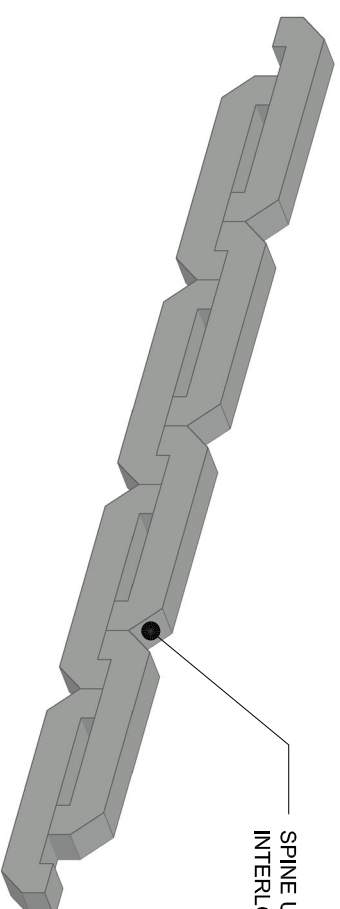


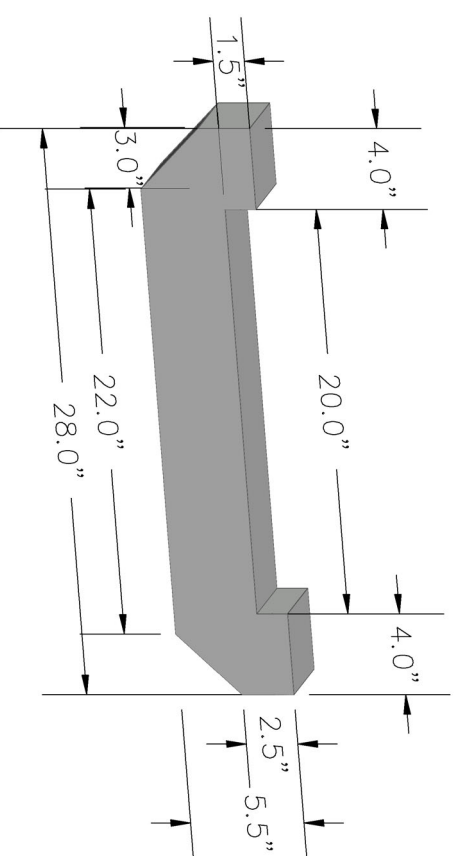
ORTHOGONAL VIEW - SHU™ REEF SECTION
N.T.S.



PLAN VIEW - SHU™ REEF TYPICAL INSTALLATION
N.T.S.



ORTHOGONAL VIEW - TYPICAL SPINE UNITS
N.T.S.



ORTHOGONAL VIEW - TYPICAL SHU UNIT
N.T.S.

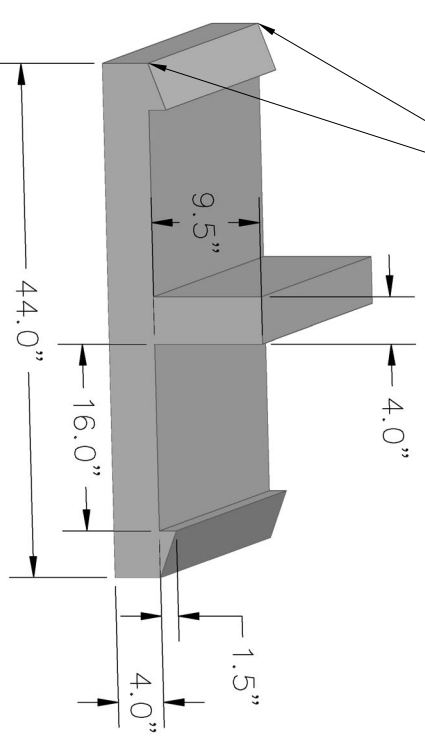
MATERIALS:
CONCRETE SHALL HAVE A MINIMUM 28 DAY STRENGTH OF 2,000 P.S.I OR BETTER.
MAXIMUM SLOPE SHALL BE 0.5V:1.0H.

SEQUENCE OF INSTALLATION:

1. BASE UNITS SHALL BE INSTALLED ALONG THE CONSTRUCTION ALIGNMENT.
2. SPINE UNITS SHALL BE PLACED ON THE BASE UNITS AS SHOWN IN THE DRAWINGS.
3. OBLIQUE UNITS SHALL BE PLACED DIRECTLY ON THE BASE SHU UNITS SUCH THAT THE OBLIQUE UNITS ARE SUPPORTED BY THE BASE UNITS AND THE SPINE UNITS.
4. (IF OPTIONAL BASE UNIT IS UTILIZED IN LIEU OF BASE SHU UNITS) OBLIQUE UNITS SHALL BE PLACED SUCH THAT THEY ARE SUPPORTED BY THE BASE LIP AND TOP SUPPORT OF THE BASE UNITS IN BOTH THE SEAWARD AND LANDWARD DIRECTIONS.

SPINE UNITS SHALL BE INTERLOCKED AS SHOWN

OPTIONAL BASE UNITS SHALL BE 24" TO 48" LONG



ORTHOGONAL VIEW - OPTIONAL BASE UNIT
N.T.S.

QUICKREEF® SHORELINE HABITAT UNITS (SHU™) REEF PLAN, SECTION, AND DETAILS